

Matches will be started at 9.00 AM

Venue : Guest House, CIMFR(DC)

## 50th SSBMT-2019 Final (TT) MENs Doubles

### Group - A

A1	CSIR-NBRI
A2	CSIR-IIP

A1	CSIR- NBRI
A3	CSIR-NPL

A1	CSIR- NBRI
A4	CSIR-NAL

A2	CSIR- IIP
A3	CSIR- NPL

A2	CSIR- IIP
A4	CSIR- NAL

A3	CSIR- NPL
A4	CSIR- NAL

### Group - B

B1	CSIR-NISTADS
B2	CSIR-CFTRI

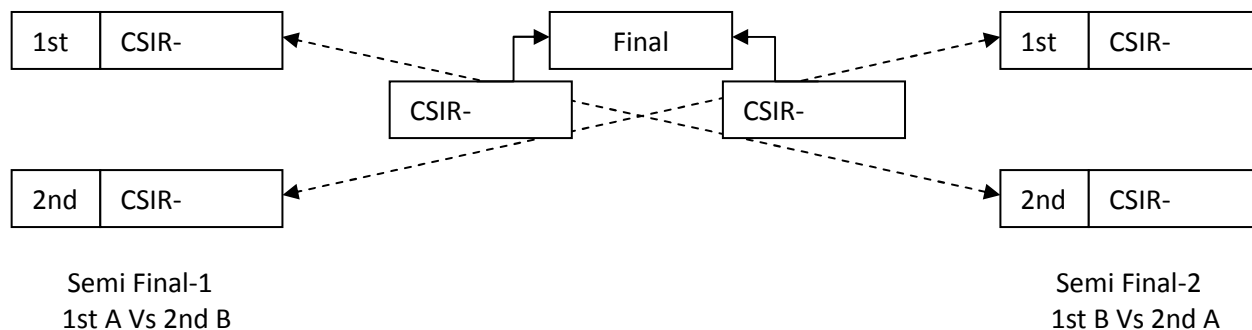
B1	CSIR- NISTADS
B3	CSIR-Complex

B1	CSIR- NISTADS
B4	CSIR-NISCAIR

B2	CSIR- CFTRI
B3	CSIR- Complex

B2	CSIR- CFTRI
B4	CSIR- NISCAIR

B3	CSIR- Complex
B4	CSIR- NISCAIR



Semi Final-1  
1st A Vs 2nd B

Semi Final-2  
1st B Vs 2nd A

Total No. of Matches : 6+6+2+1 = 15