

Matches will be started at 9.00 AM

Venue : Guest House, CIMFR(DC)

50th SSBMT-2019 Final (TT) MENsTeam

Group - A

A1	CSIR-NPL
A2	CSIR-Complex

A1	CSIR- NPL
A3	CSIR-NBRI

A1	CSIR- NPL
A4	CSIR-CFTRI

A2	CSIR- Complex
A3	CSIR- NBRI

A2	CSIR- Complex
A4	CSIR- CFTRI

A3	CSIR- NBRI
A4	CSIR- CFTRI

Group - B

B1	CSIR-IIP
B2	CSIR-NAL

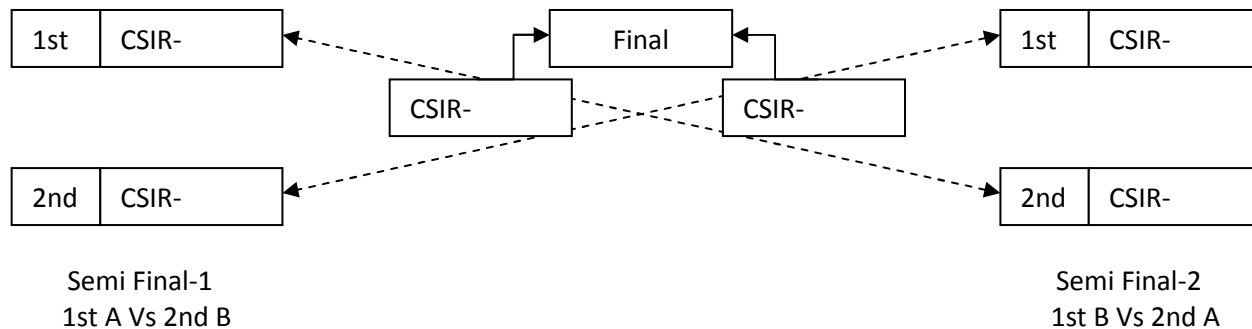
B1	CSIR- IIP
B3	CSIR-NISTAD

B1	CSIR- IIP
B4	CSIR-NISCAIR

B2	CSIR- NAL
B3	CSIR- NISTAD

B2	CSIR- NAL
B4	CSIR- NISCAIR

B3	CSIR- NISTAD
B4	CSIR-NISCAIR



Total No. of Matches : $6 \times 5 + 6 \times 5 + 2 \times 5 + 1 \times 5 = 45$